

GENERAL INFORMATION

Compatible with the Congo jr console, the Master Playback Wing offers 40 pageable faders for control of Congo Master Playbacks. The Master Playback Wing can be mounted directly to the Congo jr console on either side, or may be operated stand-alone connected to the console via a USB cable.

FEATURES

- 40 45mm Master Playback faders
- 40 Master Keys
- 20 Bump Keys
- Each grouping of 20 Master Playbacks has an LCD for labeling of content
- Compatible with Congo jr consoles and the Congo Light Server
- Direct mount to console or stand-alone
- Connection to console via USB

ORDERING INFORMATION

Congo jr Master Palyback Wing

MODEL	DESCRIPTION
MASTERWING	Master Playback Wing



SPECIFICATIONS

- 40 45mm Master Playback faders
- 40 Master Keys
- 20 Bump Keys
- Each grouping of 20 Master Playbacks has an LCD for labeling of content
- Compatible with Congo jr consoles and the Congo Light Server
- Direct mount to console or stand-alone
- Connection to console via USB

INTERFACES

- USB Multipurpose bus

PHYSICAL

Product Dimensions

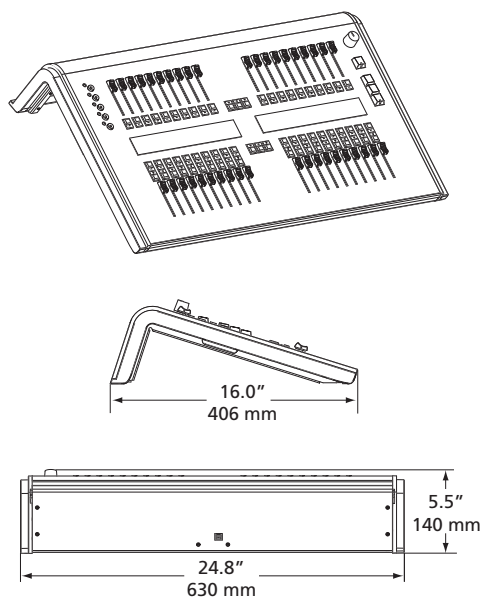
MODEL	HEIGHT		WIDTH		DEPTH	
	inches	mm	inches	mm	inches	mm
MASTERWING	5.5	140	41.7	1060	18.2	462

Product Weights*

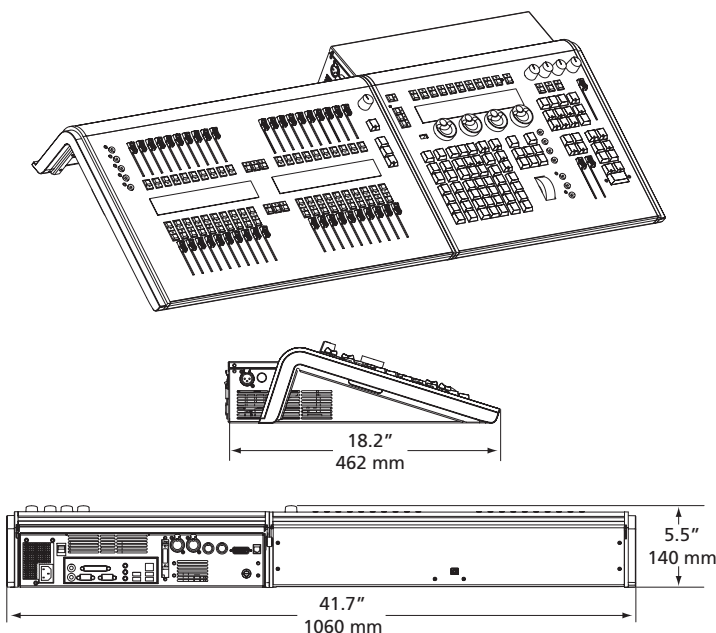
MODEL	WEIGHT		SHIPPING WEIGHT	
	lbs	kgs	lbs	kgs
MASTERWING	16.80	7.62	20.05	9.09

*Weights and dimensions typical

Master Playback Wing



Congo jr Console with attached Master Playback Wing
(Wing may be attached to either side)



Corporate Headquarters • 3031 Pleasant View Rd, PO Box 620979, Middleton WI 53562 0979 USA • Tel +1 608 831 4116 • Fax +1 608 836 1736
London, UK • Unit 26-28, Victoria Industrial Estate, Victoria Road, London W3 6UU, UK • Tel +44 (0)20 8896 1000 • Fax +44 (0)20 8896 2000
Rome, IT • Via Ennio Quirino Visconti, 11, 00193 Rome, Italy • Tel +39 (06) 32 111 683 • Fax +39 (06) 32 656 990
Holzkirchen, DE • Ohmstrasse 3, 83607 Holzkirchen, Germany • Tel +49 (80 24) 47 00-0 • Fax +49 (80 24) 47 00-3 00
Hong Kong • Room 1801, 18/F, Tower 1 Phase 1, Enterprise Square, 9 Sheung Yuet Road, Kowloon Bay, Kowloon, Hong Kong • Tel +852 2799 1220 • Fax +852 2799 9325
Web • www.etcconnect.com • Copyright©2007 ETC. All Rights Reserved. All product information and specifications subject to change. 4320L1002 Rev. B Printed in USA 07/07